

### T-30LED RING ILLUMINATOR

Designed and manufactured to the exacting standards that have made Titan Tool Supply, Inc. an industry leader in microscopy illumination. The T-30LED delivers powerful, microscope quality white light from the precision aligned LED array. Our CAD designed ring light system contains 40 top quality high-brightness white LED's housed in a machined aluminum and molded plastic enclosure. The T-30LED offers outstanding illumination performance in a rugged, attractive package.

Our advanced LED controller utilizes a proprietary constant current design to provide maximum light output with long life and no color shift when dimming. This key feature is integrated into the compact ring light housing. Adding to its impressive list of features, the T-30LED comes standard with a universal power source for worldwide operation. leader in microscopy ring lights, the T-30LED delivers powerful, microscope-quality white light from a precision LED array. Our highly-engineered LED array contains forty high-brightness white LED's.

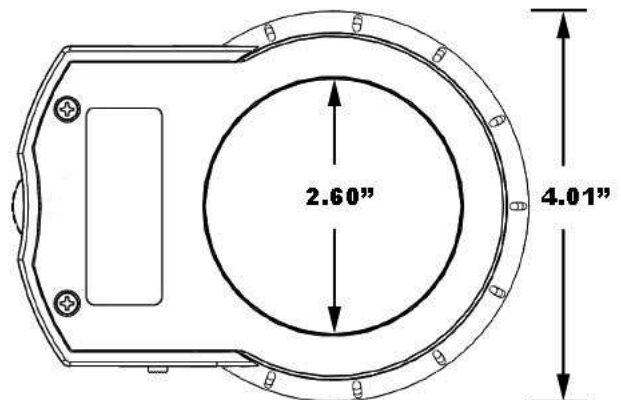
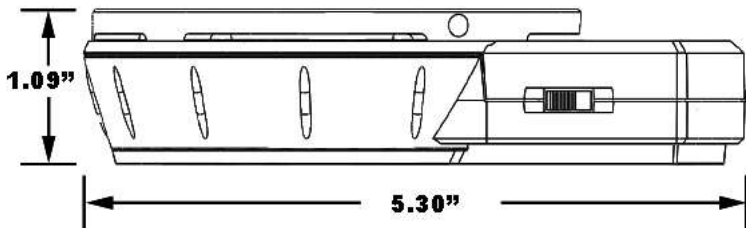


#### Specifications:

- 360° Shadow-free Illumination
- 40 High Bright LEDs
- LED Life: 10,000 Hrs. approximately
- 6500° K spectrum (approx)
- Machined aluminum and molded plastic enclosure
- 3 point soft tipped mount for secure mounting
- Silent, no vibration operation
- Built and tested in the USA
- Dimensions:
  - 1.09" thick X 4.08" O.D. X 5.30" Long
- Integrated Controller:
  - Adjustable brightness (10% - 100%)
  - Universal power 100-240VAC 50/60Hz
- Fits 1.25" (32mm) - 2.6" (66mm) lenses.
- Optimal working distance 3" - 6"



T-30 LED Ring Light shown attached to TSZM-6 Stereo Zoom Microscope



DISTANCE	FOOTCANDLES	DIAMETER
3 Inches	4900	1.4" Bright Spot
4 Inches	5110	0.9" Bright Spot
5 Inches	3960	1.3" Bright Spot

#### T-30LED Ordering Information

Order Number	Illumination
T-30LED	LED ILLUMINATION