

### H Series Panoramic Borescopes



H Series borescopes feature a rotating prism that allows the instrument to act as a multi-scope. This makes it an ideal choice for applications that would normally require more than one borescope, or the use of borescopes with limited viewing angle sleeves. Located within the front of the borescope, the prism swings over a 95° arc with a field of view of 45° within the arc, providing a 140° field of view.

Field of View: 140° from straight forward to 110° to the rear  
 Focal Length: 0 to infinity  
 Other Features: Up to 20 psi and 2 atmospheres from -4°F to 302° (-20°C to 150°)  
 Carrying case

#### Features & Specifications

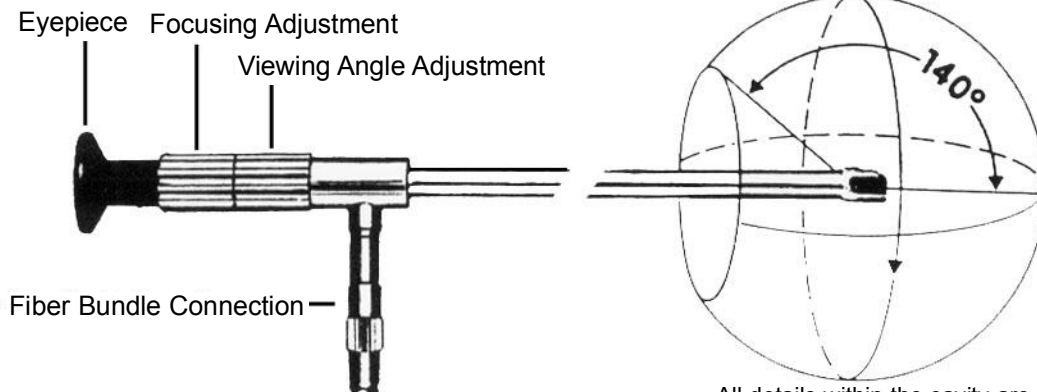
Diameters: 0.315", 0.394" & 0.473"  
 (8mm, 10mm & 12mm)  
 Working Lengths: 13.39" to 48.80"  
 (340.1mm to 1239.5mm)  
 Illumination: Fiberoptic  
 Magnification: 3X

#### Accessories & Options

- Video adapters

#### Illumination Devices

- FOI-150 Fiberoptic Illuminator with 150W quartz halogen lamp
- FB-8 Fibre Bundle for connecting borescopes to illuminators



**Stock Clearance**  
**SALE**

All details within the cavity are visible through continuous rotation of the H Series prism head and borescope body. This allows for complete examination without limitations.

#### H Series Ordering Information

Model Number	Diameter	Head Diameter	Minimum Cavity Diameter	Working Length	Price
H1000-340	.394" (10mm)	.472" (12mm)	.475" (12.1mm)	13.39" (340.1mm)	<del>\$2,895.00</del> <b>\$ 1,595.00</b>
H1000-440	.394" (10mm)	.472" (12mm)	.475" (12.1mm)	17.32" (439.9mm)	<del>\$3,085.00</del> <b>\$ 1,995.00</b>
H1200-640	.473" (12mm)	.552" (14mm)	.555" (14.1mm)	25.20" (640.1mm)	<del>\$3,550.00</del> <b>\$ 2,195.00</b>

Illumination Devices		
FOI-150	150W Fiberoptic Illuminator	\$ 375.00
FB-8	Fibre Bundle	\$ 185.00